



# BREWERY QUALITY ■ PIPE ■ FITTINGS ■ FLANGES & ACCESSORIES

**Stainless Steel • Duplex Stainless • Copper**

304–304L • 316 – 136L • AL6XN • A254SMO • 2205 • C22 • A1 • A6 • A8 • A9



**M**eet your schedule and budget targets with Coyle Supply's large, in-stock inventory of BQ pipe, fittings and flanges. Coyle stocks approved materials from Core Pipe, formerly Gerlin / Picor, Affiliated Tube (ATI), Bristol / Brismet, Maass and others. Need custom parts or expedited delivery? Coyle Supply is your solution for order accuracy, on-time delivery and high fill rates.

Contact Coyle Supply for product information.

**ATI** – Brewery Quality (BQ) Stainless and duplex stainless pipe and tube

**Bristol Metals** – Brewery Quality (BQ) Stainless and duplex stainless pipe

**Core Pipe (Gerlin)** – **PICOR** Brewery Quality Fittings, Flanges and custom products, Stainless commercial fittings and flanges, large OD

**Dixon** – Stainless sanitary tube, fittings, clamps, hose fittings

**Maass Flange** – Stainless flanges

---

**Granite City Headquarters**

3721 State Route 162  
Granite City, IL 62040  
618.797.1760 or 314.421.3145  
fax 618.797.1764

**East Alton Facility**

508 Niagara Street  
East Alton, IL 62024  
618.259.7138  
fax 618.259.7183

**Springfield Facility**

2017 East McDaniel  
Springfield, MO 65802  
417.862.0483  
fax 417.862.9804

[www.coylesupply.com](http://www.coylesupply.com)





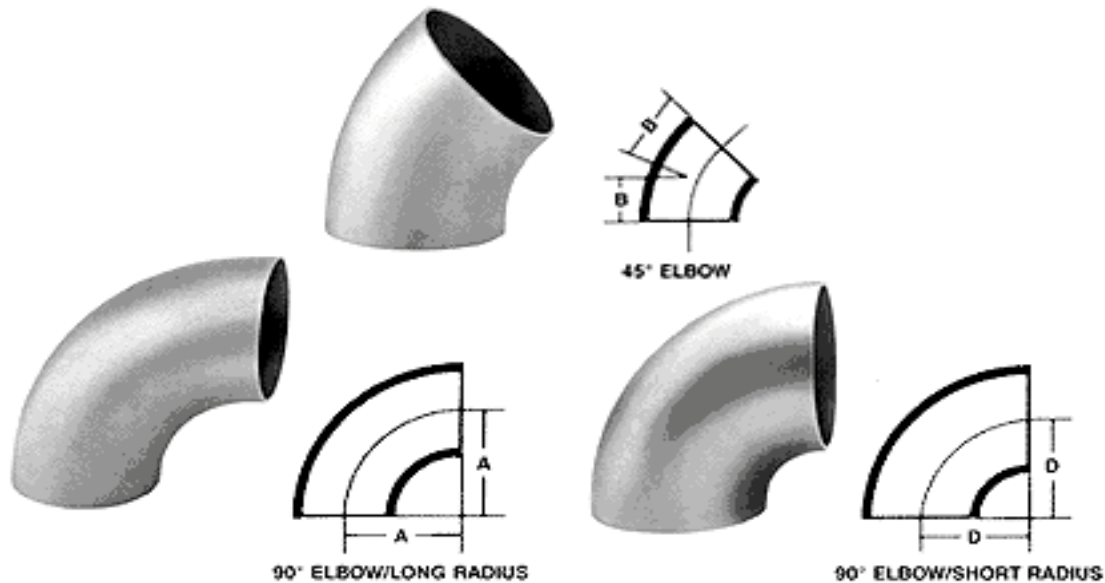
**BREW QUALITY: TOLERANCES AND SPECIFICATIONS**

NOMINAL PIPE SIZE	OUTSIDE DIAMETER	O.D. TOLERANCE	WALL THICKNESS	WALL THICKNESS
1/2"	0.840	+0.005 / -.012	0.065	±.005
3/4"	1.050	+0.005 / -.012	0.065	±.005
1"	1.320	+0.005 / -.012	0.065	±.005
1 1/4"	1.660	+0.005 / -.012	0.065	±.005
1 1/2"	1.900	+0.008 / -.015	0.065	±.005
2"	2.380	+0.010 / -.016	0.065	±.005
2 1/2"	2.880	+0.015 / -.020	0.083	±.006
3"	3.500	+0.015 / -.020	0.083	±.006
4"	4.500	+0.015 / -.020	0.083	±.007
5"	5.560	+0.020 / -.030	0.109	±.008
6"	6.620	+0.020 / -.030	0.109	±.008
8"	8.620	±.035	0.109	±.009
10"	10.750	±.042	0.134	±.010
12"	12.750	±.052	0.156	±.011

<b>BREW QUALITY: MATERIAL SPECIFICATIONS</b>				
	304	304L	316	316L
<b>C Max.</b>	0.08	0.03	0.08	0.03
<b>Si Max.</b>	1	1	1	1
<b>Mn Max.</b>	2	2	2	2
<b>P Max.</b>	0.045	0.045	0.045	0.045
<b>S Max.</b>	0.03	0.03	0.03	0.03
<b>Ni</b>	8 - 11	8 - 13	10 - 14	10 - 15
<b>Cr</b>	18 - 20	18 - 20	16 - 18	16 - 18
<b>Mo</b>	-	-	2 - 3	2 - 3
<b>Yield Min.</b>	30000	25000	30000	25000
<b>Tensile Min.</b>	75000	70000	75000	70000
<b>% Elong</b>	30	30	30	30

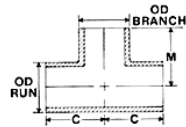
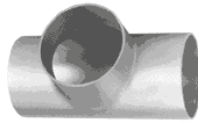
ALTERNATE MATERIALS AVAILABLE ON APPLICATION

## BQ Ells



NOMINAL PIPE SIZE	OUTSIDE DIAMETER	CENTER-TO-END DIMENSIONS		
		A 90° LONG RADIUS	B 45°	D 90° SHORT RADIUS
1/2"	.84	1.50	.62	-
3/4"	1.05	1.12	.44	-
1"	1.32	1.50	.88	1.00
1 1/4"	1.66	1.88	1.00	1.25
1 1/2"	1.90	2.25	1.12	1.50
2"	2.38	3.00	1.38	2.00
2 1/2"	2.88	3.75	1.75	2.50
3"	3.50	4.50	2.00	3.00
4"	4.50	6.00	2.50	4.00
5"	5.56	7.50	3.12	5.00
6"	6.62	9.00	3.75	6.00
8"	8.62	12.00	5.00	8.00
10"	10.75	15.00	6.25	10.00
12"	12.75	18.00	7.50	12.00

## BQ Tee

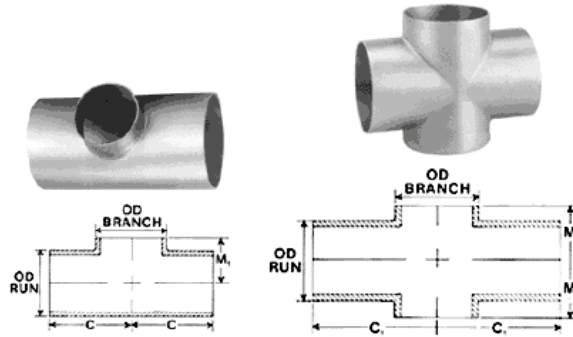


NOMINAL PIPE SIZE		OUTSIDE DIAMETER		CENTER TO END	
RUN	BRANCH	RUN	BRANCH	C	M
1/2"	1/2"	0.84	0.84	1.00	1.00
3/4"	3/4"	1.05	1.05	1.12	1.12
	1/2"	1.05	0.84	1.12	1.12
1"	1"	1.32	1.32	1.50	1.50
	3/4"	1.32	1.05	1.50	1.50
	1/2"	1.32	0.84	1.50	1.50
1 1/4"	1 1/4"	1.66	1.66	1.88	1.88
	1"	1.66	1.32	1.88	1.88
	3/4"	1.66	1.05	1.88	1.88
	1/2"	1.66	0.84	1.88	1.88
1 1/2"	1 1/2"	1.90	1.90	2.25	2.25
	1 1/4"	1.90	1.66	2.25	2.25
	1"	1.90	1.32	2.25	2.25
	3/4"	1.90	1.05	2.25	2.25
	1/2"	1.90	0.84	2.25	2.25
2"	2"	2.38	2.38	2.50	2.50
	1 1/2"	2.38	1.90	2.50	2.38
	1 1/4"	2.38	1.66	2.50	2.25
	1"	2.38	1.32	2.50	2.00
	3/4"	2.38	1.05	2.50	1.75
2 1/2"	2 1/2"	2.88	2.88	3.00	3.00
	2"	2.88	2.38	3.00	2.75
	1 1/2"	2.88	1.90	3.00	2.62
	1 1/4"	2.88	1.66	3.00	2.50
	1"	2.88	1.32	3.00	2.25
3"	3"	3.50	3.50	3.38	3.38
	2 1/2"	3.50	2.88	3.38	3.25
	2"	3.50	2.38	3.38	3.00
	1 1/2"	3.50	1.90	3.38	2.88
	1 1/4"	3.50	1.66	3.38	2.75

NOMINAL PIPE SIZE		OUTSIDE DIAMETER		CENTER TO END	
RUN	BRANCH	RUN	BRANCH	C	M
4"	4"	4.50	4.50	4.12	4.12
	3"	4.50	3.50	4.12	3.88
	2 1/2"	4.50	2.88	4.12	3.75
	2"	4.50	2.38	4.12	3.50
	1 1/2"	4.50	1.90	4.12	3.38
5"	5"	5.56	5.56	4.88	4.88
	4"	5.56	4.50	4.88	4.62
	3"	5.56	3.50	4.88	4.38
	2 1/2"	5.56	2.88	4.88	4.25
	2"	5.56	2.38	4.88	4.12
6"	6"	6.62	6.62	5.62	5.62
	5"	6.62	5.56	5.62	5.38
	4"	6.62	4.50	5.62	5.12
	3"	6.62	3.50	5.62	4.88
	2 1/2"	6.62	2.88	5.62	4.75
8"	8"	8.62	8.62	7.00	7.00
	6"	8.62	6.62	7.00	6.62
	5"	8.62	5.56	7.00	6.38
	4"	8.62	4.50	7.00	6.12
	3"	8.62	3.50	7.00	5.88
10"	10"	10.75	10.75	8.50	8.50
	8"	10.75	8.62	8.50	8.00
	6"	10.75	6.62	8.50	7.62
	5"	10.75	5.56	8.50	7.50
	4"	10.75	4.50	8.50	7.25
12"	12"	12.75	12.75	10.00	10.00
	10"	12.75	10.75	10.00	9.50
	8"	12.75	8.62	10.00	9.00
	6"	12.75	6.62	10.00	8.62
	5"	12.75	5.56	10.00	8.50



## BQ Short Outlet

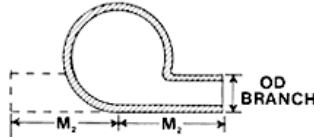
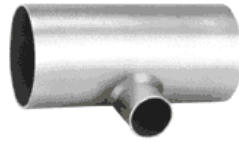


NOMINAL PIPE SIZE	OUTSIDE DIAMETER		CENTER TO END		LONG TANGENT RUN LENGTH CENTER TO END			
	RUN	BRANCH	RUN	BRANCH	C (1302)	M <sub>1</sub>	C <sub>1</sub> (1303)	M <sub>1</sub>
2"	2"	2.38	2.38	2.38	2.50	2.12	4.00	2.12
	1 1/2"	2.38	1.90	1.90	2.50	2.12	4.00	2.12
	1 1/4"	2.38	1.66	1.66	2.50	2.12	4.00	2.12
	1"	2.38	1.32	1.32	2.50	2.12	4.00	2.12
	3/4"	2.38	1.05	1.05	2.50	2.12	4.00	2.12
2 1/2"	2 1/2"	2.88	2.88	2.88	3.00	2.38	4.62	2.38
	2"	2.88	2.38	2.38	3.00	2.38	4.62	2.38
	1 1/2"	2.88	1.90	1.90	3.00	2.38	4.62	2.38
	1 1/4"	2.88	1.66	1.66	3.00	2.38	4.62	2.38
	1"	2.88	1.32	1.32	3.00	2.38	4.62	2.38
3"	3"	3.50	3.50	3.50	3.38	2.62	5.00	2.62
	2 1/2"	3.50	2.88	2.88	3.38	2.62	5.00	2.62
	2"	3.50	2.38	2.38	3.38	2.62	5.00	2.62
	1 1/2"	3.50	1.90	1.90	3.38	2.62	5.00	2.62
	1 1/4"	3.50	1.66	1.66	3.38	2.62	5.00	2.62
4"	4"	4.50	4.50	4.50	4.12	3.12	5.75	3.12
	3"	4.50	3.50	3.50	4.12	3.12	5.75	3.12
	2 1/2"	4.50	2.88	2.88	4.12	3.12	5.75	3.12
	2"	4.50	2.38	2.38	4.12	3.12	5.75	3.12
	1 1/2"	4.50	1.90	1.90	4.12	3.12	5.75	3.12
5"	5"	5.56	5.56	5.56	4.88	3.59	7.12	3.59
	4"	5.56	4.50	4.50	4.88	3.59	7.12	3.59
	3"	5.56	3.50	3.50	4.88	3.59	7.12	3.59
	2 1/2"	5.56	2.88	2.88	4.88	3.59	7.12	3.59
	2"	5.56	2.38	2.38	4.88	3.59	7.12	3.59
6"	6"	6.62	6.62	6.62	5.62	4.12	7.88	4.12
	5"	6.62	5.56	5.56	5.62	4.12	7.88	4.12
	4"	6.62	4.50	4.50	5.62	4.12	7.88	4.12
	3"	6.62	3.50	3.50	5.62	4.12	7.88	4.12
	2 1/2"	6.62	2.88	2.88	5.62	4.12	7.88	4.12
	2"	6.62	2.38	2.38	5.62	4.12	7.88	4.12
8"	8"	8.62	8.62	8.62	7.00	5.12	9.25	5.12
	6"	8.62	6.62	6.62	7.00	5.12	9.25	5.12
	5"	8.62	5.56	5.56	7.00	5.12	9.25	5.12
	4"	8.62	4.50	4.50	7.00	5.12	9.25	5.12
	3"	8.62	3.50	3.50	7.00	5.12	9.25	5.12
10"	10"	10.75	10.75	10.75	8.50	6.19	10.75	6.19
	8"	10.75	8.62	8.62	8.50	6.19	10.75	6.19
	6"	10.75	6.62	6.62	8.50	6.19	10.75	6.19
	5"	10.75	5.56	5.56	8.50	6.19	10.75	6.19
	4"	10.75	4.50	4.50	8.50	6.19	10.75	6.19
12"	12"	12.75	12.75	12.75	10.00	7.19	12.25	7.19
	10"	12.75	10.75	10.75	10.00	7.19	12.25	7.19
	8"	12.75	8.62	8.62	10.00	7.19	12.25	7.19
	6"	12.75	6.62	6.62	10.00	7.19	12.25	7.19
	5"	12.75	5.56	5.56	10.00	7.19	12.25	7.19

OTHER OUTLET SIZES ARE AVAILABLE.



## BQ Tangential Tee

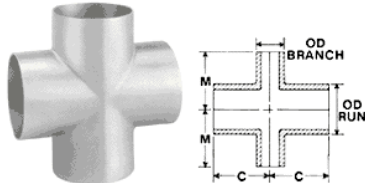


NOMINAL PIPE SIZE		OUTSIDE DIA METER		CENTER TO END	
RUN	BRANCH	RUN	BRANCH	C	M <sup>2</sup>
1 1/2"	3/4"	1.90	1.05	2.25	2.00
	1"	1.90	1.32	2.25	2.00
2"	1 1/2"	2.38	1.90	2.50	2.38
	1"	2.38	1.32	2.50	2.00
	3/4"	2.38	1.05	2.50	2.00
3"	2"	3.50	2.38	3.38	3.00
	1 1/2"	3.50	1.90	3.38	2.88
	1"	3.50	1.32	3.38	2.62
	3/4"	3.50	1.05	3.38	2.62
4"	3"	4.50	3.50	4.12	3.88
	2"	4.50	2.38	4.12	3.50
	1 1/2"	4.50	1.90	4.12	3.38
	1"	4.50	1.32	4.12	3.38
	3/4"	4.50	1.05	4.12	3.38
6"	4"	6.62	4.50	5.62	5.12
	3"	6.62	3.50	5.62	4.88
	2"	6.62	2.38	5.62	4.88
	1 1/2"	6.62	1.90	5.62	4.88
	1"	6.62	1.32	5.62	4.88
	3/4"	6.62	1.05	5.62	4.88

NOMINAL PIPE SIZE		OUTSIDE DIA METER		CENTER TO END	
RUN	BRANCH	RUN	BRANCH	C	M <sup>2</sup>
8"	6"	8.62	6.62	7.00	6.62
	4"	8.62	4.50	7.00	6.12
	3"	8.62	3.50	7.00	6.00
	2"	8.62	2.38	7.00	6.00
	1 1/2"	8.62	1.90	7.00	6.00
	1"	8.62	1.32	7.00	6.00
	3/4"	8.62	1.05	7.00	6.00
10"	8"	10.75	8.62	8.50	8.50
	6"	10.75	6.62	8.50	8.50
	4"	10.75	4.50	8.50	8.50
	3"	10.75	3.50	8.50	8.50
	2"	10.75	2.38	8.50	8.50
	1 1/2"	10.75	1.90	8.50	8.50
	1"	10.75	1.32	8.50	8.50
	3/4"	10.75	1.05	8.50	8.50
12"	10"	12.75	10.75	10.00	9.50
	8"	12.75	8.62	10.00	9.50
	6"	12.75	6.62	10.00	9.50
	4"	12.75	4.50	10.00	9.50
	3"	12.75	3.50	10.00	9.50
	2"	12.75	2.38	10.00	9.50
	1 1/2"	12.75	1.90	10.00	9.50
	1"	12.75	1.32	10.00	9.50
	3/4"	12.75	1.05	10.00	9.50

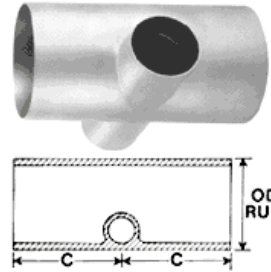


# BQ Cross



NOMINAL PIPE SIZE		OUTSIDE DIAMETER		CENTER TO END	
RUN	BRANCH	RUN	BRANCH	C	M
1/2"	1/2"	0.84	0.84	1.00	1.00
3/4"	3/4"	1.05	1.05	1.12	1.12
	1/2"	1.05	0.84	1.12	1.12
1"	1"	1.32	1.32	1.50	1.50
	3/4"	1.32	1.05	1.50	1.50
1 1/4"	1/2"	1.32	.884	1.50	1.50
	1 1/4"	1.66	1.66	1.88	1.88
	1"	1.66	1.32	1.88	1.88
	3/4"	1.66	1.05	1.88	1.88
1 1/2"	1/2"	1.66	0.84	1.88	1.88
	1 1/2"	1.90	1.90	2.25	2.25
	1 1/4"	1.90	1.66	2.25	2.25
	1"	1.90	1.32	2.25	2.25
2"	3/4"	1.90	1.05	2.25	2.25
	1/2"	1.90	0.84	2.25	2.25
	2"	2.38	2.38	2.50	2.50
	1 1/2"	2.38	1.90	2.50	2.38
	1 1/4"	2.38	1.66	2.50	2.25
2 1/2"	1"	2.38	1.32	2.50	2.00
	3/4"	2.38	1.05	2.50	1.75
	2 1/2"	2.88	2.88	3.00	3.00
	2"	2.88	2.38	3.00	2.75
3"	1 1/2"	2.88	1.90	3.00	2.62
	1 1/4"	2.88	1.66	3.00	2.50
	1"	2.88	1.32	3.00	2.25
	3"	3.50	3.50	3.38	3.38
	2 1/2"	3.50	2.88	3.38	3.25
4"	2"	3.50	2.38	3.38	3.00
	1 1/2"	3.50	1.90	3.38	2.88
	1 1/4"	3.50	1.66	3.38	2.75
	1"	3.50	1.32	3.38	2.50

NOMINAL PIPE SIZE		OUTSIDE DIAMETER		CENTER TO END	
RUN	BRANCH	RUN	BRANCH	C	M
4"	4"	4.50	4.50	4.12	4.12
	3"	4.50	3.50	4.12	3.88
	2 1/2"	4.50	2.88	4.12	3.75
	2"	4.50	2.38	4.12	3.50
	1 1/2"	4.50	1.90	4.12	3.38
5"	5"	5.56	5.56	4.88	4.88
	4"	5.56	4.50	4.88	4.62
	3"	5.56	3.50	4.88	4.38
	2 1/2"	5.56	2.88	4.88	4.25
6"	2"	5.56	2.38	4.88	4.12
	6"	6.62	6.62	5.62	5.62
	5"	6.62	5.56	5.62	5.38
	4"	6.62	4.50	5.62	5.12
	3"	6.62	3.50	5.62	4.88
8"	2 1/2"	6.62	2.88	5.62	4.75
	8"	8.62	8.62	7.00	7.00
	6"	8.62	6.62	7.00	6.62
	5"	8.62	5.56	7.00	6.38
	4"	8.62	4.50	7.00	6.12
10"	3"	8.62	3.50	7.00	5.88
	10"	10.75	10.75	8.50	8.50
	8"	10.75	8.62	8.50	8.00
	6"	10.75	6.62	8.50	7.62
	5"	10.75	5.56	8.50	7.50
12"	4"	10.75	4.50	8.50	7.25
	12"	12.75	12.75	10.00	10.00
	10"	12.75	10.75	10.00	9.50
	8"	12.75	8.62	10.00	9.00
	6"	12.75	6.62	10.00	8.62

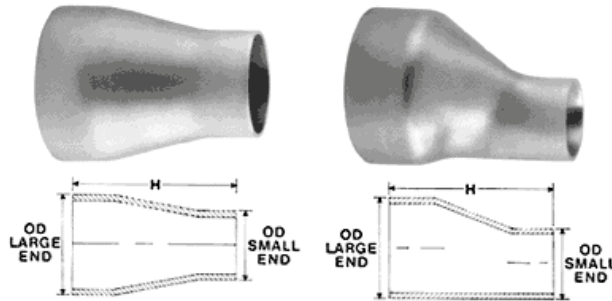


NOMINAL PIPE SIZE		OUTSIDE DIAMETER		CENTER TO END	
RUN	BRANCH	RUN	BRANCH	C	M <sup>2</sup>
1 1/2"	3/4"	1.90	1.05	2.25	2.00
	1"	1.90	1.32	2.25	2.00
2"	1 1/2"	2.38	1.90	2.50	2.38
	1"	2.38	1.32	2.50	2.00
	3/4"	2.38	1.05	2.50	2.00
3"	2"	3.50	2.38	3.38	3.00
	1 1/2"	3.50	1.90	3.38	2.88
	1"	3.50	1.32	3.38	2.62
	3/4"	3.50	1.05	3.38	2.62
4"	3"	4.50	3.50	4.12	3.88
	2"	4.50	2.38	4.12	3.50
	1 1/2"	4.50	1.90	4.12	3.38
	1"	4.50	1.32	4.12	3.38
	3/4"	4.50	1.05	4.12	3.38
6"	4"	6.62	4.50	5.62	5.12
	3"	6.62	3.50	5.62	4.88
	2"	6.62	2.38	5.62	4.88
	1 1/2"	6.62	1.90	5.62	4.88
	1"	6.62	1.32	5.62	4.88
8"	3/4"	6.62	1.05	5.62	4.88
	6"	8.62	6.62	7.00	6.62
	4"	8.62	4.50	7.00	6.12
10"	3"	8.62	3.50	7.00	6.00
	2"	8.62	2.38	7.00	6.00
	1 1/2"	8.62	1.90	7.00	6.00
	1"	8.62	1.32	7.00	6.00
	3/4"	8.62	1.05	7.00	6.00
12"	8"	10.75	8.62	8.50	8.50
	6"	10.75	6.62	8.50	8.50
	4"	10.75	4.50	8.50	8.50
	3"	10.75	3.50	8.50	8.50
	2"	10.75	2.38	8.50	8.50
12"	1 1/2"	10.75	1.90	8.50	8.50
	1"	10.75	1.32	8.50	8.50
	3/4"	10.75	1.05	8.50	8.50
	10"	12.75	10.75	10.00	9.50
	8"	12.75	8.62	10.00	9.50
12"	6"	12.75	6.62	10.00	9.50
	4"	12.75	4.50	10.00	9.50
	3"	12.75	3.50	10.00	9.50
	2"	12.75	2.38	10.00	9.50
	1 1/2"	12.75	1.90	10.00	9.50
12"	1"	12.75	1.32	10.00	9.50
	3/4"	12.75	1.05	10.00	9.50





## BQ Reducers

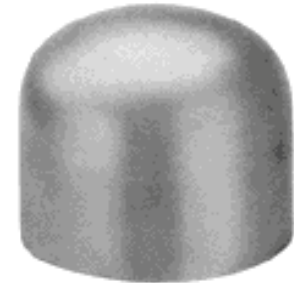
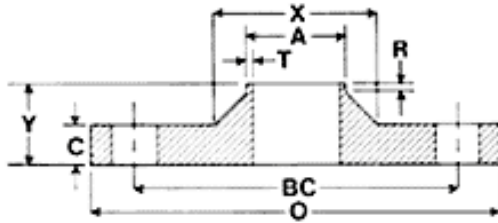


NOMINAL PIPE SIZE		OUTSIDE DIAMETER		LENGTH
LARGE END	SMALL END	LARGE END	SMALL END	H
3/4"	1/2"	1.05	0.84	1.50
1"	1/2"	1.32	0.84	2.00
	3/4"	1.32	1.05	2.00
1 1/4"	3/4"	1.66	1.05	2.00
	1"	1.66	1.32	2.00
1 1/2"	1/2" (2)	1.90	0.84	2.50
	3/4"	1.90	1.05	2.50
	1"	1.90	1.32	2.50
	1 1/4"	1.90	1.66	2.50
2"	1/2" (2)	2.38	0.84	3.00
	3/4"	2.38	1.05	3.00
	1"	2.38	1.32	3.00
	1 1/4"	2.38	1.66	3.00
	1 1/2"	2.38	1.90	3.00
2 1/2"	1" (2)	2.88	1.32	3.50
	1 1/4"	2.88	1.66	3.50
	1 1/2"	2.88	1.90	3.50
	2"	2.88	2.38	3.50
3"	1" (2)	3.50	1.32	3.50
	1 1/4"	3.50	1.66	3.50
	1 1/2"	3.50	1.90	3.50
	2"	3.50	2.38	3.50
	2 1/2"	3.50	2.88	3.50

NOMINAL PIPE SIZE		OUTSIDE DIAMETER		LENGTH
LARGE END	SMALL END	LARGE END	SMALL END	H
4"	1 1/2" (2)	4.50	1.90	4.00
	2"	4.50	2.38	4.00
	2 1/2"	4.50	2.88	4.00
	3"	4.50	3.50	4.00
5"	3" (2)	5.56	3.50	5.00
	4" (2)	5.56	4.50	5.00
6"	2" (1) (2)	6.62	2.38	5.50
	2 1/2" (2)	6.62	2.88	5.50
	3"	6.62	3.50	5.50
	4"	6.62	4.50	5.50
	5" (2)	6.62	5.56	5.50
8"	4" (3)	8.62	4.50	6.00
	5" (3)	8.62	5.56	6.00
	6"	8.62	6.62	6.00
10"	4" (1)	10.75	4.50	7.00
	6"	10.75	6.62	7.00
	8" (3)	10.75	8.62	7.00
12"	6" (1) (2)	12.75	6.62	8.00
	8" (1)	12.75	8.62	8.00
	10" (3)	12.75	10.75	8.00



## BQ Flange / Cap



NOMINAL PIPE SIZE	O	C	Y	A	X	T	R	BC	DIA HOLES	QTY HOLES
1/2"	3.50	.38	.88	.84	1.19	.065	.25	2.38	.62	4
3/4"	3.88	.38	.88	1.05	1.50	.065	.25	2.75	.62	4
1"	4.25	.38	.88	1.32	1.94	.065	.25	3.12	.62	4
1 1/4"	4.62	.38	.88	1.66	2.31	.065	.25	3.50	.62	4
1 1/2"	5.00	.38	.88	1.90	2.56	.065	.25	3.88	.62	4
2"	6.00	.44	1.00	2.38	3.06	.065	.25	4.75	.75	4
2 1/2"	7.00	.44	1.00	2.88	3.56	.083	.31	5.50	.75	4
3"	7.50	.50	1.12	3.50	4.25	.083	.31	6.00	.75	4
4"	9.00	.50	1.12	4.50	5.31	.083	.31	7.50	.75	8
5"	10.00	.50	1.12	5.56	6.44	.109	.31	8.50	.88	8
6"	11.00	.56	1.25	6.62	7.56	.109	.31	9.50	.88	8
8"	13.50	.56	1.25	8.62	9.69	.109	.31	11.75	.88	8
10"	16.00	.69	1.38	10.75	12.00	.134	.38	14.25	1.00	12
12"	19.00	.69	1.38	12.75	14.38	.156	.38	17.00	1.00	12

NOM. PIPE SIZE	OUTSIDE DIA. O.D	E
1/2"	.840	1.00
3/4"	1.050	1.00
1"	1.320	1.50
1 1/4"	1.660	1.50
1 1/2"	1.900	1.50
2"	2.380	1.50
2 1/2"	2.880	1.50
3"	3.500	2.00
3 1/2"	4.000	2.50
4"	4.500	2.50
5"	5.560	3.00
6"	6.620	3.50
8"	8.620	4.00
10"	10.750	5.00
12"	12.750	6.00

